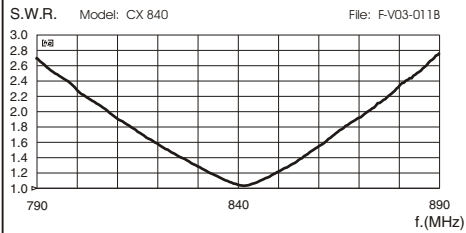


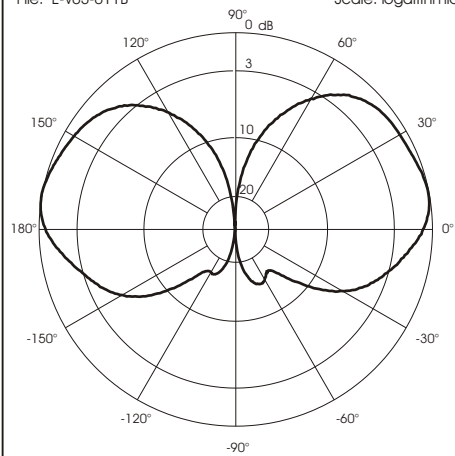
## CX 840

### TYPICAL S.W.R. RESPONSE



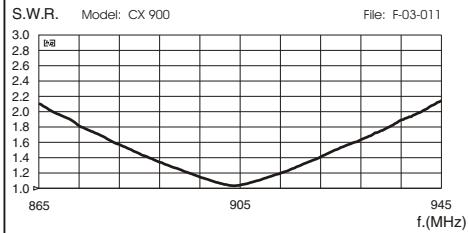
### TYPICAL RADIATION PATTERN in E-plane at mid band

File: E-V03-011B Scale: logarithmic



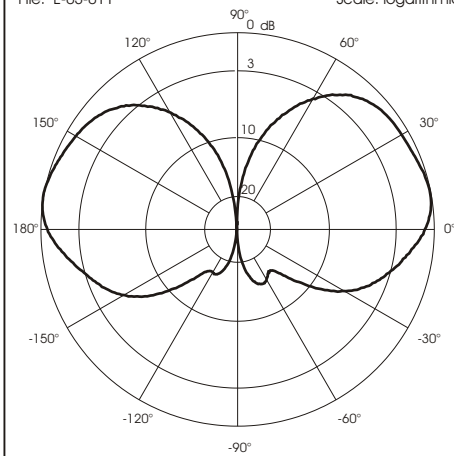
## CX 900

### TYPICAL S.W.R. RESPONSE



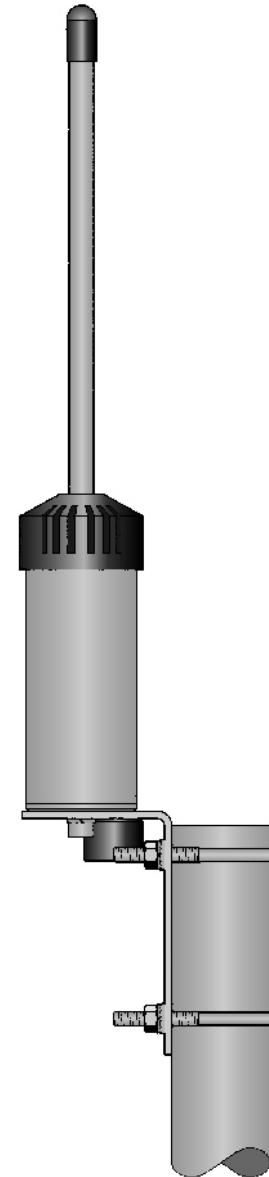
### TYPICAL RADIATION PATTERN in E-plane at mid band

File: E-03-011 Scale: logarithmic



## CX 30cm series

UHF Base Station Antennas 824-894 / 880-960 MHz



*Installation Manual*

## DESCRIPTION

UHF antenna for base station service made of high quality materials to get the best performance and the maximum efficiency. It is completely manufactured with aluminium tubes and nylon for its great robustness and it is supplied with a solid steel bracket for an easy and safe installation. Its Gamma Match feed makes it earthed for a perfect protection against the discharges. In the mentioned range of frequency, adjustments are not required. Simple and strong it is particularly recommended for a professional use.

## SPECIFICATIONS

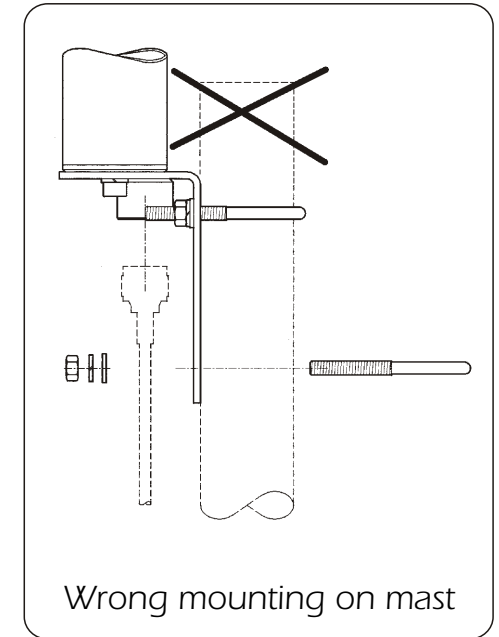
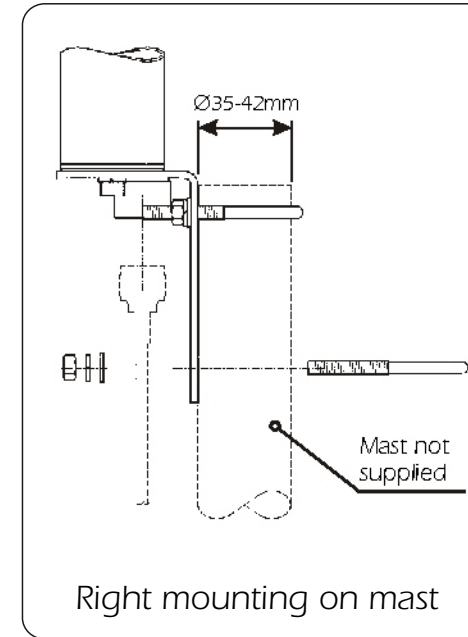
### Electrical Data

Type	: 3/4 Coax. J-pole
Frequency Range	: CX 840 824-894 MHz for AMPS systems
	: CX 900 880-960 MHz for GSM 900 system
Impedance	: 50
Radiation (H-plane)	: 360° omnidirectional
Radiation (E-plane)	: Beamwidth @ -3 dB=70°
Radiation angle deg.	: 10°
Polarization	: Linear Vertical
Gain	: 2 dBd - 4.15 dBi
SWR in Bandwidth	: CX 840 TX-band 1.6; RX-band 2.8
	: CX 900 TX-band 1.8; RX-band 2.6
Max Power	: 100 Watts (CW) @ 30° C
Grounding Protection	: All metal parts are DC-grounded, the inner conductor shows a DC-short
Connector type	: N-female

### Mechanical Data

Materials	: Aluminium, Zamac, Steel, Brass
Wind Load / Resistance	: 17 N @ 150 Km/h / 180 Km/h
Wind Surface	: 0.01 m <sup>2</sup>
Height (approx.)	: 370 mm
Weight (approx.)	: 470 gr
Operating Temperature	: -40° C to 80° C
Mounting Mast	: 35-42 mm

## MOUNTING INSTRUCTIONS



Hardware Part list	
Q.ty	Description
2	M6x160 U-bolt
4	M6 flat washer
4	M6 lock washer
4	M6 Hexagonal nut