

SPO 380-2

Sirio Professional Omni

2 dBi UHF Base Station Antenna 380-470 MHz

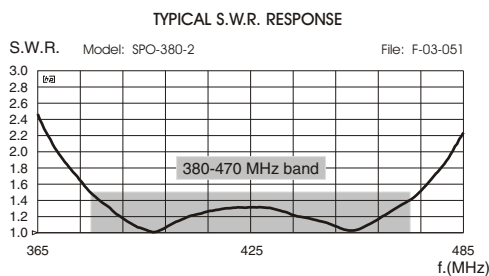
DESCRIPTION: New series of **wide band** omnidirectional base station antennas for UHF band suitable for marine service too. The fiberglass protection radome and the anodized aluminium parts guarantee robustness and long life to all the SPO-antennas series. They are supplied with two strong extruded aluminium brackets and stainless steel hardware for a good installation on the mast.

Electrical Data

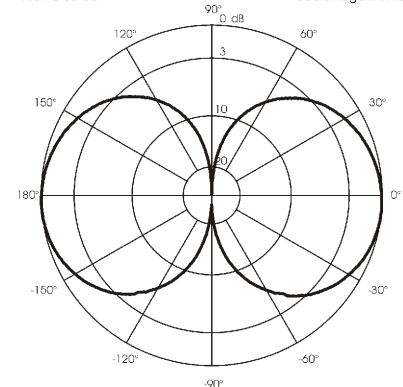
Type	Dipole
Frequency Range	380-470 MHz @ SWR 1.5
Impedance	50
Radiation (H-plane)	360° Omnidirectional
Radiation (E-plane)	Beamwidth @ -3dB = 78°
Radiation angle deg.	0°
Polarization	Linear Vertical
Gain	0 dBd - 2.15 dBi
Max Power	75 Watts (CW) @ 30°C ambient
Grounding Protection	All metal parts are DC-grounded, inner conductor shows a DC short
Connector	N-female, with rubber protection cap

Mechanical Data

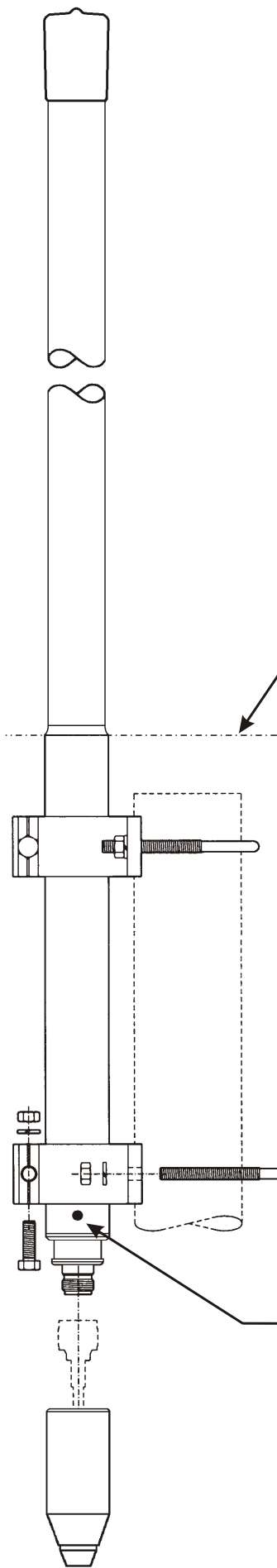
Materials	White fiberglass radome 28.6 mm, anodized 6063-T5 aluminium, brass, stainless steel, copper, EPDM rubber.
Wind Load at 150 km/h	33 N
Wind Resistance	200 Km/h
Wind Surface	0.027 m ²
Operatin temperature	-40°C to + 80°C
Height (approx.)	780 mm
Weight (approx.)	890 gr
Mounting Mast	Side mast with "V" bolt, 35-54 mm



TYPICAL RADIATION PATTERN in E-plane at mid-band
File: E-03-051 Scale: logarithmic



MOUNTING INSTRUCTIONS



ATTENTION!
The mounting mast does not have to be higher of the aluminium tube

ATTENTION!
Leave the drainage hole uncovered

Fixing bracket:



Fixing bracket part list

Q.ty	Description
2	Extruded aluminium bracket
2	M6x188 V-bolt
2	M6x20 Exagonal head screw
6	M6 Spring lock washer
6	M6 Hexagonal nut
Materials:	extruded aluminum
Hardware:	stainless steel
Dimensions :	80 x 76 x 25 mm
Weight:	220 g
Re-order code: SA104	

Connector protection cap
Re-order code: TE06416

