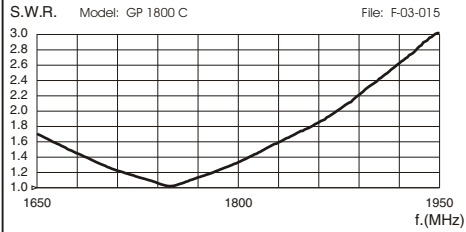


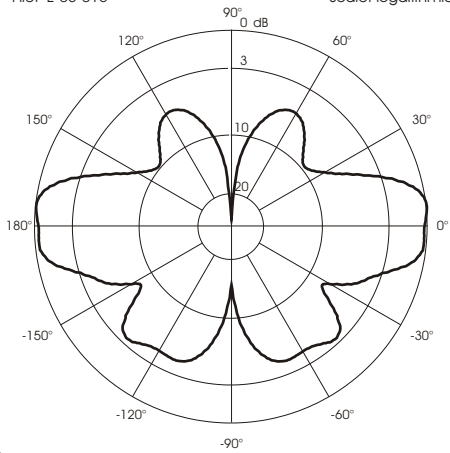
## GP 1800 C

### TYPICAL S.W.R. RESPONSE



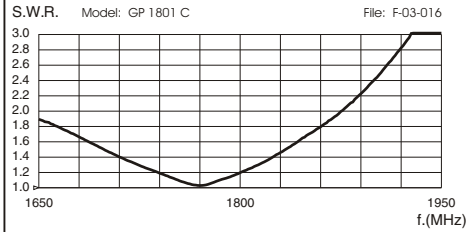
### TYPICAL RADIATION PATTERN in E-plane at mid-band

File: E-03-015 Scale: logarithmic



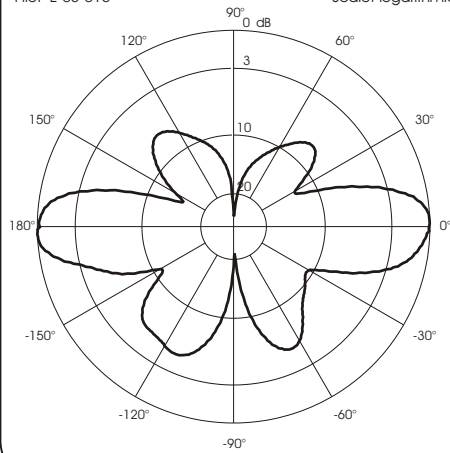
## GP 1801 C

### TYPICAL S.W.R. RESPONSE



### TYPICAL RADIATION PATTERN in E-plane at mid-band

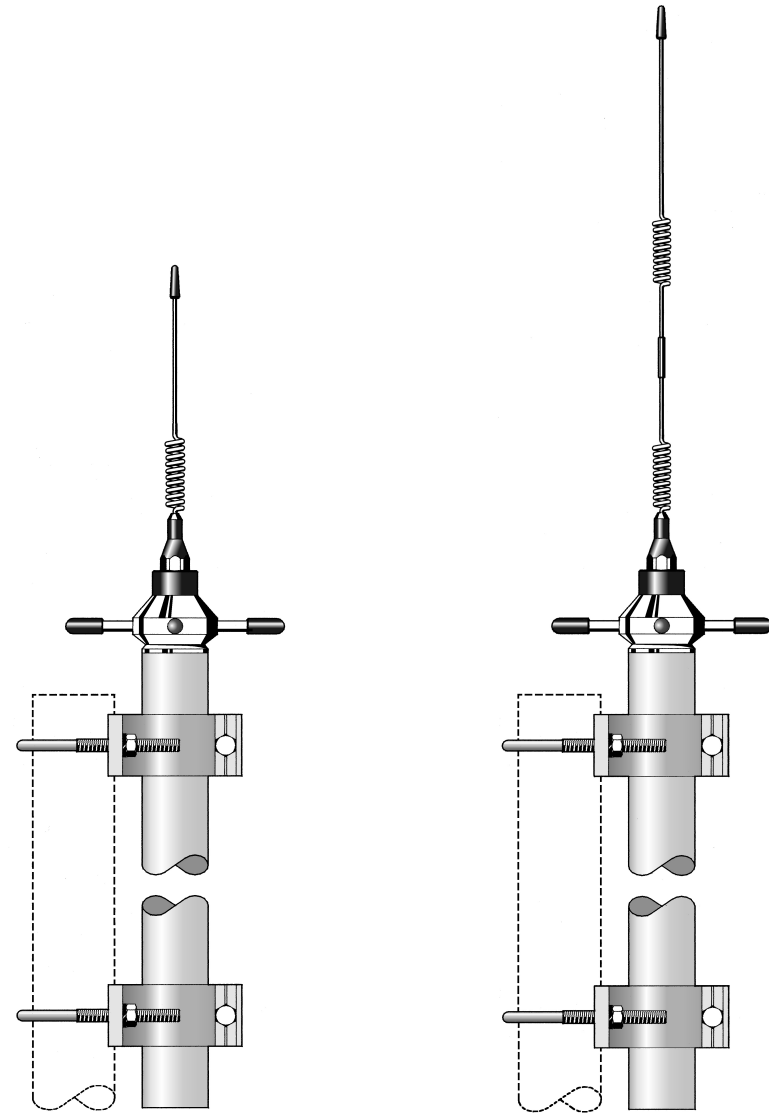
File: E-03-016 Scale: logarithmic



## GP 1800 C

## GP 1801 C

### UHF Base Station Antennas 1710-1880 MHz



GP 1800 C

GP 1801 C



HI-QUALITY ANTENNAS MADE IN ITALY

## DESCRIPTION

UHF colinear Ground Plane antenna suitable for the base station service covering the frequency range of 1710-1880 MHz (DCS and PCN 1800 systems). The main whip and the radials are made of 17/7 PH stainless steel and its base is of chromed brass to get the best robustness. Easy to fit, it is suitable for a handy installation everywhere.

## SPECIFICATIONS

Electrical Data	GP 1800 C	GP 1801 C
Type	1/4 + 5/8 Colinear	1/4 + 2 x 5/8 Colinear
Frequency Range	1710 - 1880 MHz for GSM / PCM systems	
Impedance	50	
Radiation (H-plane)	360° Omnidirectional	
Radiation (E-plane)	Beamwidth @ -3dB=40°	Beamwidth @ -3dB=30°
Radiation angle deg.	0°	
Polarization	Linear Vertical	
Gain	3.5 dBd, 5.65 dBi	6 dBd, 8.15 dBi
SWR in bandwidth	1.4 TX-band, 2.2 RX-band	
Max Power (CW) @ 30°C	20 Watts	
Connector	N-female, gold plated central pin	
Mechanical Data	Stainless Steel, Aluminium, Chromed Brass, Nylon	
Wind Load @ 150 Km/h	11 N	
Resistance	180 Km/h	
Wind surface	0.01 m <sup>2</sup>	
Height (approx.)	440mm	550mm
Weight (approx.)	635 gr	
Radial Length (approx.)	37mm	
Mounting Mast	35-54 mm	

## MOUNTING INSTRUCTIONS

Part list		
Pos	Q.ty	Description
1	1	Black stainless steel whip
2	1	Chromed base
3	1	29x32x250mm alu. tube
4	4	5mm Stainless steel radials
5	4	5mm plastic caps
6	4	Nylon radials reinforce
7	4	M4x5 hexagon socket set screw
8	1	2mm exagonal key
9	3	M4x6 phillips screws
10	3	M4 washer
11	2	Extruded aluminium bracket
12	2	M6x188 V-bolt
13	2	M6x20 Hexagonal head screw
14	6	M6 Spring lock washer
15	6	M6 Hexagonal nut

