

M-90MS kit MICROPHONE STAND KIT

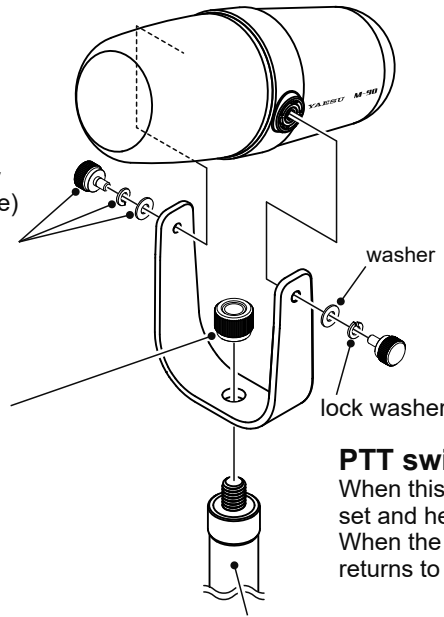
Angle adjustment Screws

Attach the microphone body at the left and right pivots with the supplied washers, lock washers, and screws.

The angle of the microphone may be adjusted by loosening the screws (turn them counterclockwise) on the left and right side of the microphone yoke. Place the microphone in the desired position and then tighten the screws (turn them clockwise) to secure the microphone.

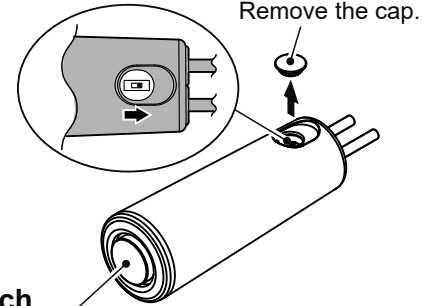
W3/8 Nut

Use the supplied nut (W3/8 Nut) to attach the yoke to a commercially available desk arm type, or floor type microphone stand*.



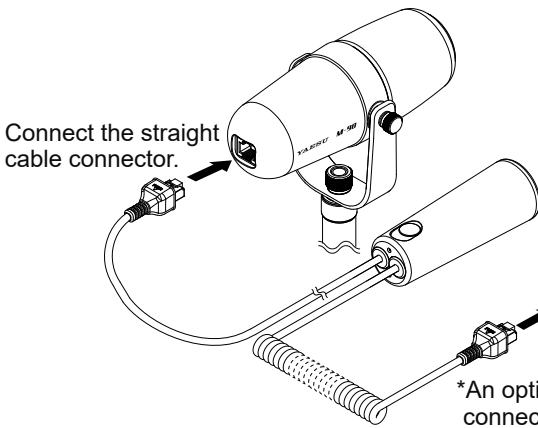
Low-Cut switch

Turns the low-cut filter (cut-off frequency 340Hz, -6dB/octave) ON or OFF. Move the switch in the direction of the arrow to activate the low-cut filter.



PTT switch

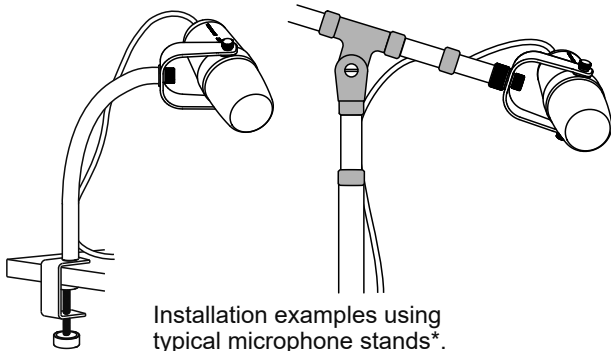
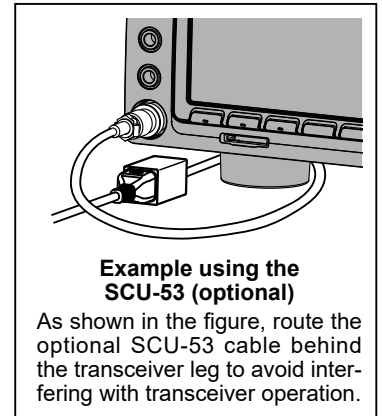
When this switch is pressed, the transmit mode is set and held. When the switch is pressed again the transceiver returns to receive mode.



This kit requires a Commercially available microphone stand*.

*Microphone stand is not included.

*An optional SCU-53 cable is required when connecting the M-90MS to an HF transceiver furnished with a round 8-pin microphone connector.



Installation examples using typical microphone stands*.

This kit requires a commercially available microphone stand*.
*Microphone stand is not included.

Using the M-90MS with Yaesu Transceivers

The M-90D operates with the below Transceivers.

| | | | | |
|-----------|-----------|------------------|-----------|----------|
| FT-817/ND | FT-818ND | FT-857/D | FT-891 | FT-897/D |
| FT-450/D | FT-900 | FT-991/A | FT-847 | FT-920 |
| FT-950 | FT-1000MP | FT-1000MP MARK-V | FT-2000/D | |
| FTDX1200 | FTDX3000D | FTDX5000 | FTDX9000 | |
| FTDX101D | FTDX101MP | FTDX10 | FT-710 | |
| FT-747* | FT-840* | FT-850* | FT-990* | FT-1000* |

* Requires Optional "Microphone Power Supply Kit". as of Feb, 2023

Specifications

| | |
|-----------------------|---|
| Supply Voltage: | DC 5.0 V ±10 % |
| Current Consumption: | 15 mA (TYP) |
| Microphone Type: | Dynamic |
| Frequency Response: | 30 - 17000 Hz |
| Sensitivity: | -60 dB (1 kHz 0 dB=1V/Pa) |
| Microphone Impedance: | 600 Ohms |
| Dimensions: | Diameter: 2.45" (62mm), Length: 6.38" (162mm) *Microphone head size only |
| Weight (approx): | 7.05 oz (200 g) w/ Bracket, w/o Handheld PTT Controller |

This equipment has been tested and found to comply with the limits for a Class B digital device, pursuant to Part 15 of the FCC Rules. These limits are designed to provide reasonable protection against harmful interference in a residential installation. This equipment generates, uses and can radiate radio frequency energy and, if not installed and used in accordance with the instructions, may cause harmful interference to radio communications. However, there is no guarantee that interference will not occur in a particular installation. If this equipment does cause harmful interference to radio or television reception, which can be determined by turning the equipment off and on, the user is encouraged to try to correct the interference by one or more of the following measures:

- Reorient or relocate the receiving antenna.
- Increase the separation between the equipment and receiver.
- Connect the equipment into an outlet on a circuit different from that to which the receiver is connected.
- Consult the dealer or an experienced radio/TV technician for help.

This device complies with part 15 of the FCC Rules. Operation is subject to the following two conditions: (1) This device may not cause harmful interference, and (2) this device must accept any interference received, including interference that may cause undesired operation.

Safety Precautions (Be Sure to Read)

Be sure to read the safety precautions printed in the Operating Manual of the compatible transceiver to use this product safely.

YAESU MUSEN CO., LTD.

Omori Bellport Building D-3F
6-26-3 Minami-Oi, Shinagawa-ku, Tokyo, 140-0013, Japan

Disposal of Electrical and Electronic Equipment

Products with the symbol (crossed-out wheeled bin) cannot be disposed of as household waste. Electronic and Electrical Equipment should be recycled at a facility capable of handling these items and their waste by products. Please contact a local equipment supplier representative or service center for information about the waste collection system in your country.



M-90MS kit マイクロフォンスタンドキット

角度調節ネジ

付属のワッシャー、スプリングワッシャー、ネジで左右からマイク本体を固定します。反時計(左)方向にまわして緩めると、マイクの角度をお好みの角度に調節することができます。調節が終わりましたら、時計(右)方向にまわして固定してください。

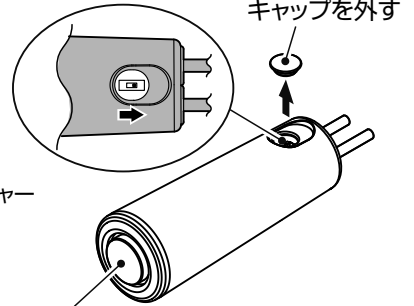
マイクスタンド取り付けナット

付属のナット(ネジ径W3/8)で、市販のデスクアーム式マイクスタンドや床上型マイクスタンドに取り付けます。

市販のマイクスタンド(ネジ径W3/8)
※マイクスタンドは付属していません。
汎用品を別途お求めください。

LOW CUTスイッチ

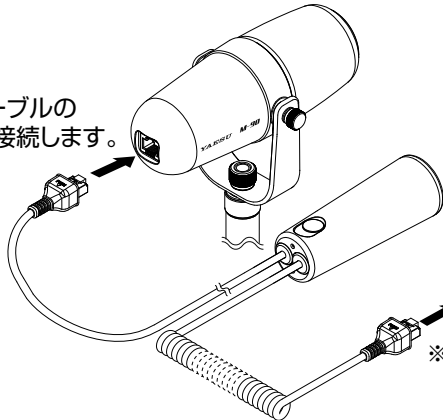
低域周波数カット用のローカットフィルター(カットオフ周波数340Hz、-6dB/oct)をON/OFFします。このスイッチを矢印の方向に切り替えるとローカットフィルターが動作します。



PTTスイッチ

押すと送信状態になります。もう一度押すと受信状態に戻ります。

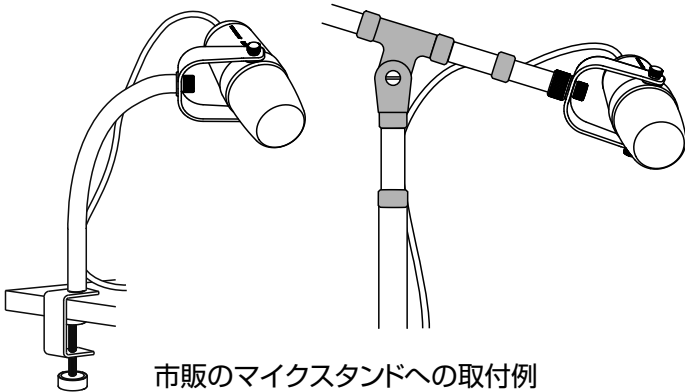
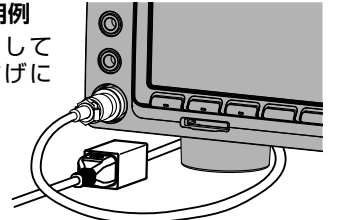
ストレートケーブルのコネクターを接続します。



※丸型8ピンマイク端子のトランシーバーへの接続にはオプションの変換ケーブル"SCU-53"が必要です。

SCU-53 (オプション) の使用例

図のように、脚の後ろを通してトランシーバーの操作の妨げにならないようにしてください。



市販のマイクスタンドへの取付例

※マイクスタンドは付属していません。
汎用品を別途お求めください。

定格

電源電圧: DC5.0V ± 10%
消費電流: 約 15mA
マイクロフォン型式: ダイナミック型
周波数特性: 30 ~ 17000Hz
感度: - 60dB (1kHz 0dB=1V/Pa)
マイクインピーダンス: 600 Ω
外形寸法(突起物を除く): φ 62 (最大径) × 162 (長さ) (mm)
重量: 約 200g
(取付ブラケットを含む、ハンドコントローラを除く)

使用できる無線機について

M-90MS は下記の無線機で使用することができます。

| | | | | |
|-----------|-----------|-----------|-----------|-----------|
| FT-817/ND | FT-818ND | FT-857/D | FT-891 | FT-897/D |
| FT-450/D | FT-900 | FT-991/A | FT-847 | FT-920 |
| FT-950 | FT-1000MP | FT-1000MP | MARK-V | FT-2000/D |
| FTDX1200 | FTDX3000D | FTDX5000 | FTDX9000 | |
| FTDX101D | FTDX101MP | FTDX10 | FT-710 | |
| FT-747 * | FT-840 * | FT-850 * | FT-1000 * | FT-1011 * |
| FT-1021 * | | | | |

※別売の"オプション電源キット"が必要です。

2023年2月現在

| 名称 | 有害有毒物質及元素 | | | | | |
|-----------|-----------|--------|--------|---------------|------------|--------------|
| | 鉛 (Pb) | 汞 (Hg) | 镉 (Cd) | 六价铬 (Cr (VI)) | 多環联苯 (PBB) | 多溴二苯醚 (PBDE) |
| MIC-UNIT | × | ○ | ○ | ○ | ○ | ○ |
| JACK-UNIT | × | ○ | ○ | ○ | ○ | ○ |
| SW-UNIT | × | ○ | ○ | ○ | ○ | ○ |
| CT-CABLE | ○ | ○ | ○ | ○ | ○ | ○ |
| 付属品 | | | | | | |

本表格依据SJ/T11364的规定编制
○: 表示该有害有毒物质在该部件所有均质材料中的含量均在GB/T 26572标准规定的限量以下。
×: 表示该有害有毒物质至少在该部件的某一均质材料中的含量超出GB/T 26572标准规定的限量要求。
※本产品含铅量超过限量要求的理由是因为下列的科学、技术原因无法废除及替代。
■ 高熔点焊锡所含的铅(铅含量超过85%的锡铅合金焊锡)
■ 陶瓷电子部品含有铅
■ 阴极射线管、电子部品及发光管含有的玻璃成分中的铅
■ 倒装芯片内部的半导体台和载流子的焊锡中含有的铅
■ 铜合金所含有的4wt%以下的铅

