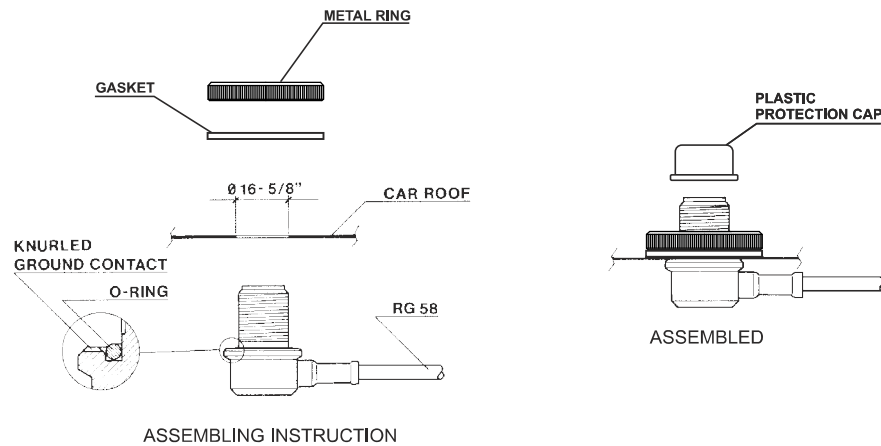


# SO-239 cable

## Angular Connector with 4m/13ft coaxial cable

### TECHNICAL DATA

Frequency Range: ..... DC-500MHz  
 Impedance: .....  $50 \pm 2 \Omega$   
 Antenna Connector: ..... UHF-Female, gold plated central pin  
 Connector insulator: ..... PTFE  
 Cable Length / Type: ..... 4m; 13 ft / RG 58  
 Cable Temperature: ..... -40°C to +70°C  
 Cable Attenuation: ..... 0,5dB @ 50MHz; 0,8dB @ 150MHz; 1,7dB @ 500MHz  
 Max Power: ... 500Watts @ 50MHz; 300Watts @ 150MHz; 150Watts @ 500MHz



# SO-239

## Angular Connector

### TECHNICAL DATA

Frequency Range: ..... DC-500MHz  
 Impedance: .....  $50 \pm 2 \Omega$   
 Antenna Connector: ..... UHF-Female, gold plated central pin  
 Connector insulator: ..... PTFE  
 Cable: ..... Not supplied  
 Cable connection: ..... for RG58. Screen: screw on. Central conductor: solder

