

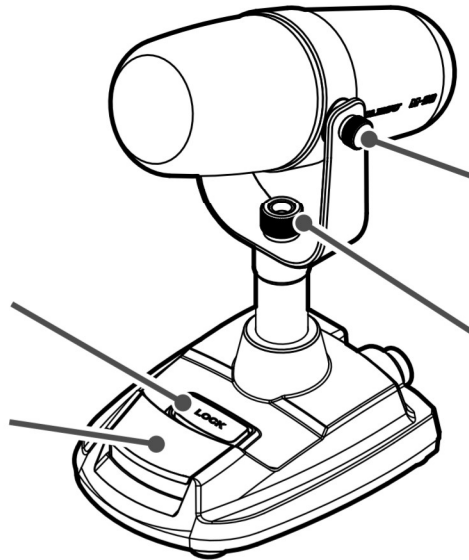
M-90D Desktop Microphone

LOCK key

This is a one touch PTT key with a lock function. When the LOCK key is pressed, the transmit mode is set and held, When the key is pressed again the transceiver returns to receive mode again.

PTT key

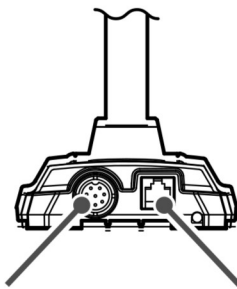
Press and hold down this key to transmit, and release it to receive.



Angle adjustment Screws

The angle of the microphone may be adjusted by loosening (turning counterclockwise) the screws on the left and right side of the microphone yoke. Place the microphone in the desired position and then tighten the screws (turn them clockwise) to secure the microphone.

The angle of the microphone may be adjusted by loosening (turning counterclockwise) the screw on the pivot top. Place the microphone in the desired position and then tighten the screw (turn them clockwise) to secure the microphone.

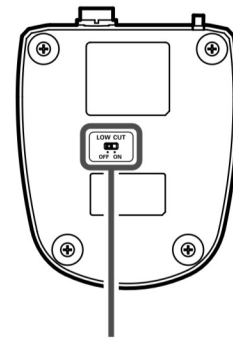


MIC Jack (8-pin)

Use the supplied microphone cable to connect the microphone to a transceiver that has a "modular terminal".

MIC Jack (modular)

Use the supplied microphone cable to connect the microphone to a transceiver that has an "8-pin terminal".



Low-Cut switch

When this switch is ON, a low-cut filter (cut-off frequency 340 Hz, -6 dB/octave) is activated.

Specifications

Supply Voltage: DC 5.0 V \pm 10 %
 Current Consumption: 15 mA (TYP)
 Microphone Type: Dynamic
 Frequency Response: 30 - 17000 Hz
 Sensitivity: -60 dB (1 kHz 0 dB=1V/1Pa)

Microphone Impedance: 600 Ohms
 Dimensions (W x H x D): 4.17" x 7.56" x 4.98"
 (106 x 192 x 126.5 mm)
 *H: Maximum with microphone flat
 Weight (approx): 18.7 oz (530 g) w/o cable

Using the M-90D with Yaesu Transceivers

The M-90D operates with the below Transceivers.

FT-817/ND	FT-818ND	FT-857/D	FT-891	FT-897/D
FT-450/D	FT-900	FT-991/A	FT-847	FT-920
FT-950	FT-1000MP	FT-1000MP MARK-V	FT-2000/D	
FTDX1200	FTDX3000D	FTDX5000	FTDX9000	
FTDX101D	FTDX101MP	FTDX10		
FT-747*	FT-840*	FT-850*	FT-990*	FT-1000*

* Requires Optional "Microphone Power Supply Kit". as of Apr, 2021

This device complies with part 15 of the FCC Rules. Operation is subject to the following two conditions: (1) This device may not cause harmful interference, and (2) this device must accept any interference received, including interference that may cause undesired operation.

Safety Precautions (Be Sure to Read)
 Be sure to read the safety precautions printed in the Operating Manual of the compatible transceiver to use this product safely.

This equipment has been tested and found to comply with the limits for a Class B digital device, pursuant to Part 15 of the FCC Rules. These limits are designed to provide reasonable protection against harmful interference in a residential installation. This equipment generates, uses and can radiate radio frequency energy and, if not installed and used in accordance with the instructions, may cause harmful interference to radio communications. However, there is no guarantee that interference will not occur in a particular installation. If this equipment does cause harmful interference to radio or television reception, which can be determined by turning the equipment off and on, the user is encouraged to try to correct the interference by one or more of the following measures:

- Reorient or relocate the receiving antenna.
- Increase the separation between the equipment and receiver.
- Connect the equipment into an outlet on a circuit different from that to which the receiver is connected.
- Consult the dealer or an experienced radio/TV technician for help.

Disposal of Electrical and Electronic Equipment
 Products with the symbol (crossed-out wheeled bin) cannot be disposed of as household waste. Electronic and Electrical Equipment should be recycled at a facility capable of handling these items and their waste by products. Please contact a local equipment supplier representative or service center for information about the waste collection system in your country.